

### Features

#### ● High Soldering Quality by Auto Coplanarity Technology

- Auto Coplanarity Technology<sup>(\*1)</sup> achieves stable mounting to PCB.
- Self Alignment Effects<sup>(\*2)</sup> enable soldering parts to perform better.

#### ● Terminal Construction

Four contact points and Dual Springs achieve high reliability.

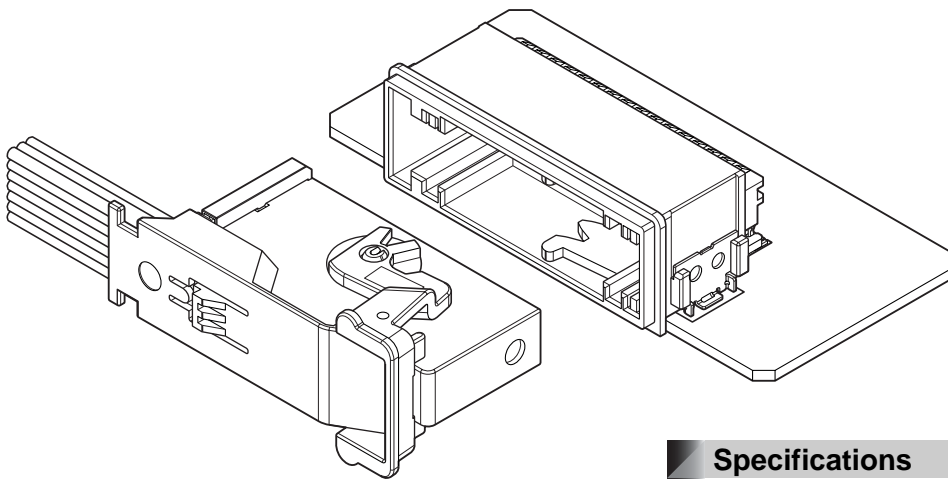
#### \*1. Auto coplanarity technology:

Terminals align to PCB without having influence of PCB warpage or thermal expansion of housing.

#### \*2. Self alignment effects:

Terminals are drawn by surface tension force and align to center position during re-flow process.

2.54mm pitch, 0.64 unsealed surface mounting type connector with Auto Coplanarity Technology. This technology achieves stable mounting to PCB during re-flow process.



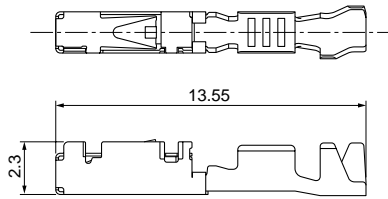
### Specifications

- Current rating: 3 A AC, DC
- Voltage rating: 14 V AC, DC
- Temperature range: -40°C to +100°C  
(including temperature rise in applying electrical current)
- Contact resistance: Initial value/ 20 mΩ max.  
After environmental tests/ 20 mΩ max.
- Insulation resistance: 100 MΩ min.
- Withstanding voltage: 1,000 VAC/minute
- Applicable wire: AVSS  
0.3 mm<sup>2</sup> to 0.5 mm<sup>2</sup>

\* Compliant with ELV/RoHS.

\* Contact JST for details.

## Female terminal



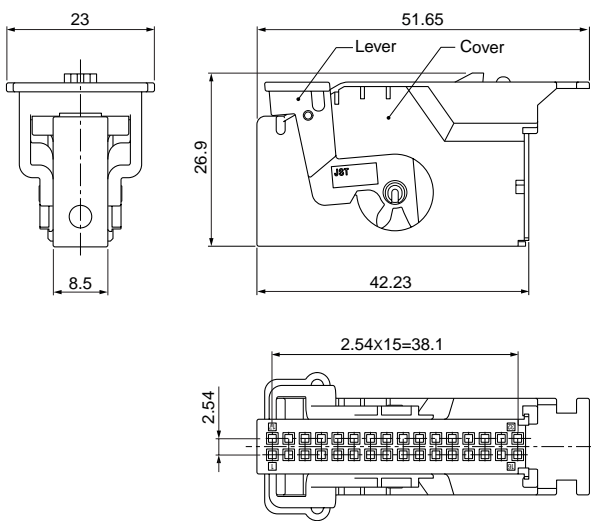
Model No.	Applicable wire range		Q'ty/reel
	Conductor (mm <sup>2</sup> )	Insulation O.D. (mm)	
<b>SGIT-B021T-MS0.64</b>	0.3 to 0.5	1.4 to 1.7	9,000

### Material and Finish

Terminal box: SUS  
Terminal spring: Copper alloy, tin-plated

## Female connector

### Cover housing assembly



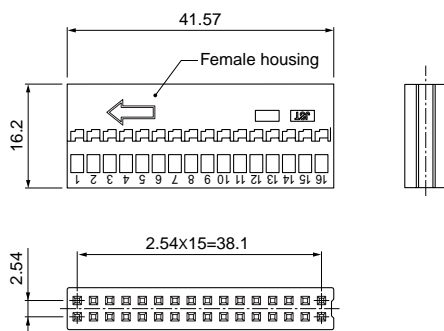
Circuits	Model No.	Q'ty/box
32	<b>32GIT-CL-1A-( )-( )</b>	600

### Material

Glass-filled PBT, black

Note: Color/Key codes other than above-mentioned housing are also available.

## Female housing

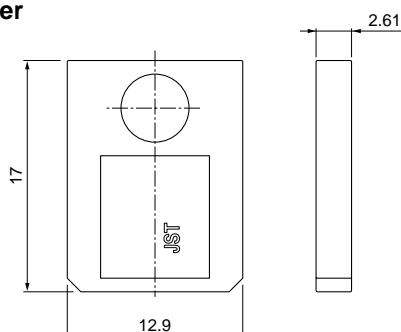


Circuits	Model No.	Q'ty/box
32	<b>GITR-32H-1A-K</b>	975

### Material

Glass-filled PBT, black

## Slide cover



Model No.	Q'ty/box
<b>GITSL-H-2A-K</b>	500

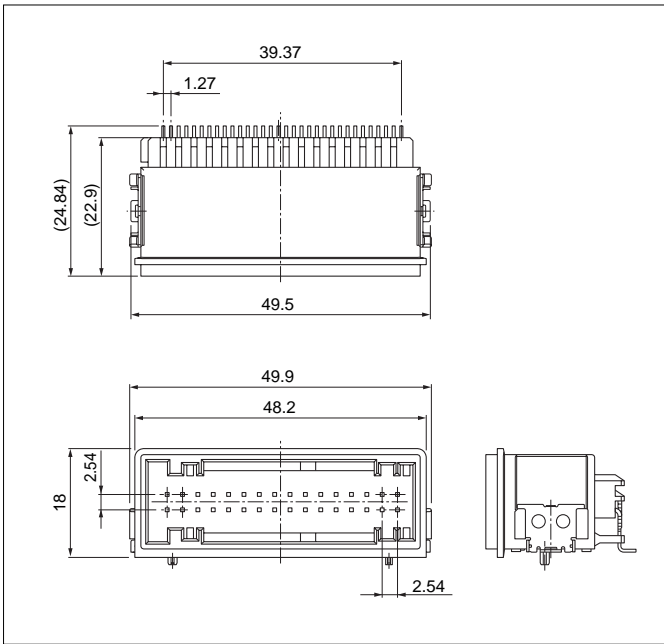
### Material

Glass-filled PBT, black

Note: The above Q'ty/box indicates inner box Q'ty. Contact JST for details.

# ACA CONNECTOR

## Male connector



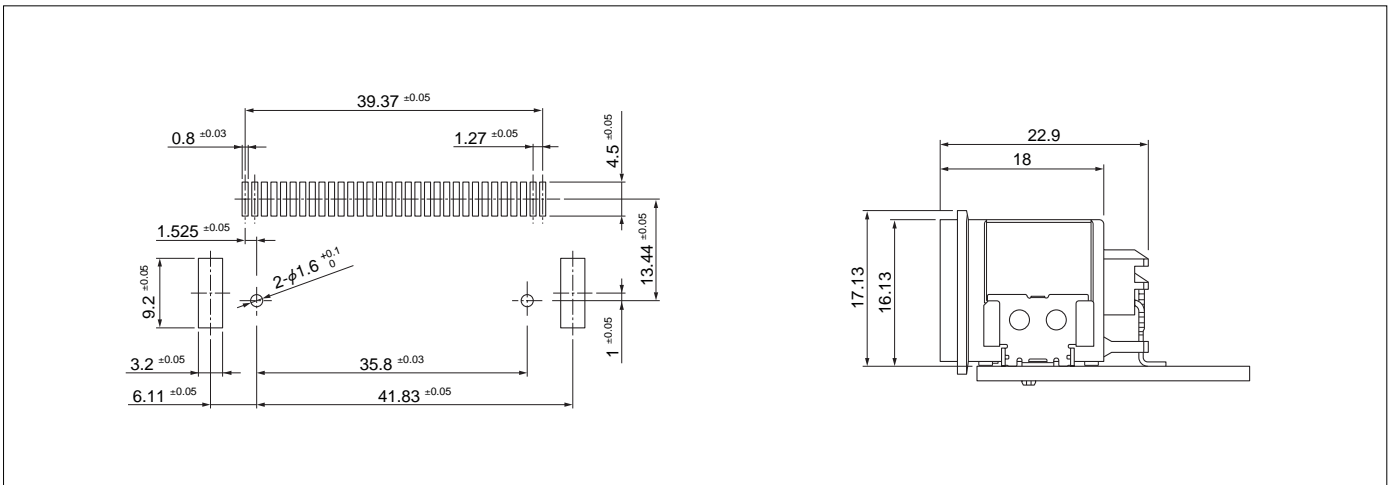
Circuits	Model No.	Q'ty/box
32	<b>SM32B-ACAK-1A-( )M</b>	600

### Material and Finish

Housing: Glass-filled LCP, black  
 Terminal: Brass, nickel-undercoated, tin-plated  
 Tab: Brass, nickel-undercoated, tin-plated

- Note: 1. This product displays (LF)(SN) on a label.  
 2. Key codes other than above-mentioned housing are also available. Contact JST for details.

## PC board layout (viewed from component side), Assembly layout



- Note: 1. Tolerances are non-cumulative: ±0.05mm for all centers.  
 2. The dimensions above should serve as guideline. Contact JST for details.

## Crimping machine, Applicator

Strip terminal	Crimping machine	Crimp applicator MKS-L	
		Dies	Crimp applicator with dies
<b>SGIT-B021T-MS0.64</b>	AP-K2N	MK/SGIT-B021-064	APLMK SGIT-B021-064

Note: When crimping operation is conducted using an applicator and die set other than the above, JST cannot guarantee the performance of the terminal.