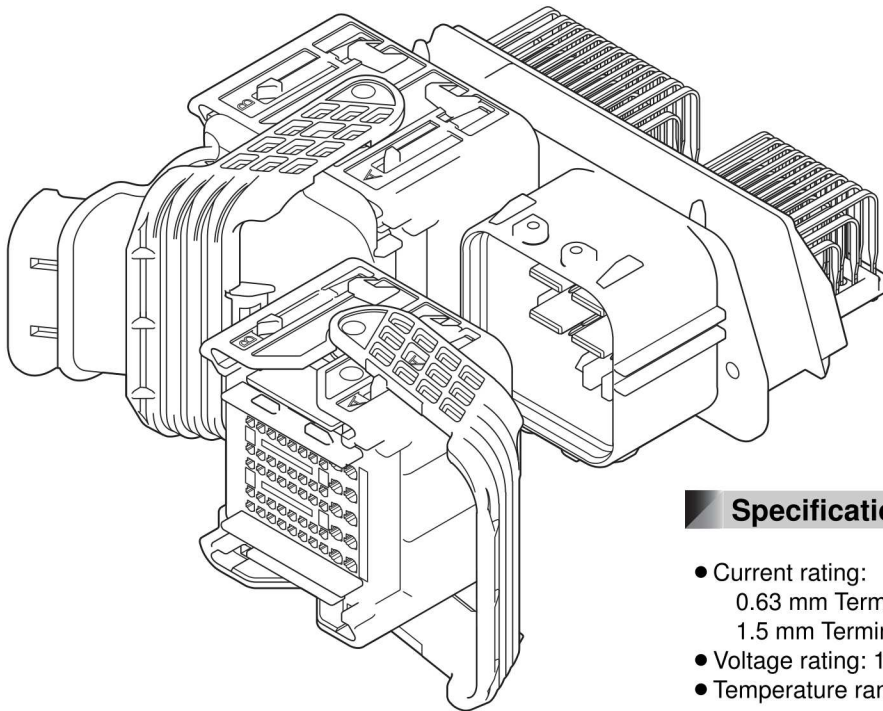


0.63 mm/1.5 mm Sealed hybrid type Connector

Features

- **Water / Dust protection**
Mat seal is adopted for improving the workability of harness assembling.
- **Side type Terminal Position Assurance (TPA)**
- **Mechanical Assist Lever**
The lever mechanism is adopted to decrease the insertion force in mating male and female.
- **Variation**
Various key code and wire cover can be selected.

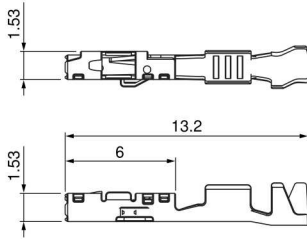


Specifications

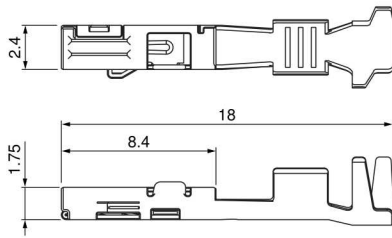
- **Current rating:**
 - 0.63 mm Terminal (0.63t) / 5 A max. (0.5 mm², Single circuit)
 - 1.5 mm Terminal (0.6t) / 15 A max. (1.25 mm², Single circuit)
- **Voltage rating:** 14 V DC
- **Temperature range:** -40°C to +120°C
(including temperature rise in applying electrical current)
- **Contact resistance:**
 - 0.63 mm Terminal; Initial value/ 10 mΩ max.
After environmental tests/ 20 mΩ max
 - 1.5 mm Terminal; Initial value/ 5 mΩ max.
After environmental tests/ 10 mΩ max
- **Insulation resistance:** 100 MΩ min.
- **Withstanding voltage:** 1,000 VAC/minute
- **Applicable wire:** AESSX (f)
 - 0.63 mm Terminal; 0.3 mm² to 0.5 mm²
 - 1.5 mm Terminal; 0.75 mm² to 1.25 mm²
- * Compliant with ELV/RoHS.
- * Contact JST for details.

Female terminal

• 0.63 mm Female terminal



• 1.5 mm Female terminal



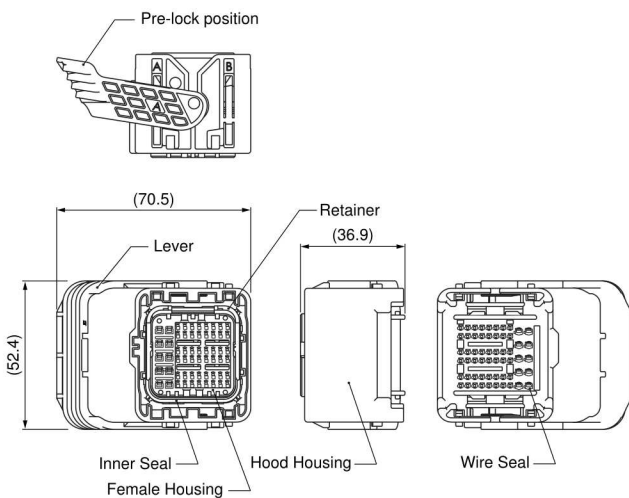
Terminal	Model No.	Applicable wire range		Q'ty/reel
		Conductor (mm ²)	Insulation O.D. (mm)	
0.63	SJIA-A021T-M063	0.3 to 0.5	1.5 to 1.7	10,000
1.5	SNACM-A041T-M1.5	0.75 to 1.25	1.8 to 2.1	4,000

Material and Finish

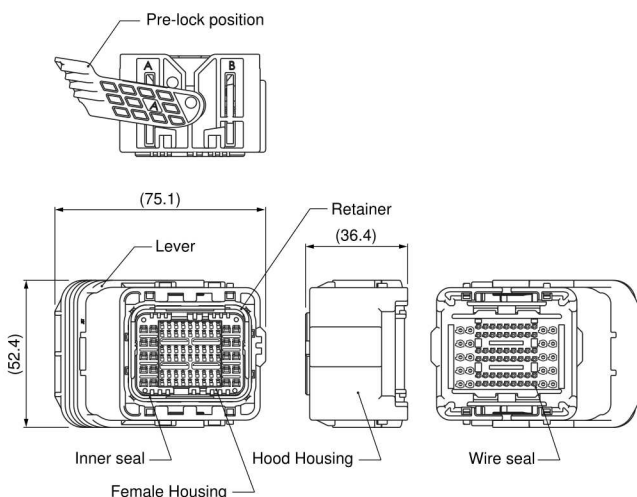
Copper alloy, tin-plated (reflow treatment)

Female connector

• 58JIA-RB-#(*)-K



• 74JIA-RB-#(*)-K



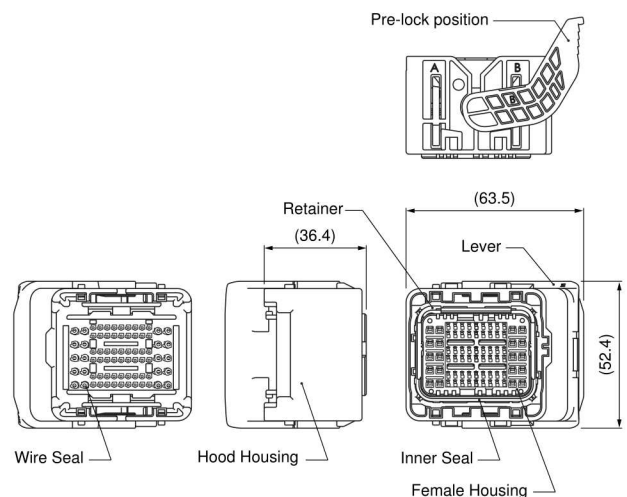
Circuits	Model No.	Q'ty/box	Housing Color
58	58JIA-RB-#(*)-K	162	Black
74	74JIA-RB-#(*)-K	162	Black

Material and Finish

Female housing: Glass-filled PA 66, Black
 Hood housing: Glass-filled PA 66, Black
 Retainer: Glass-filled PA 66, Natural
 Inner seal: Silicone, 58-circuit (Blue), 78-circuit (Green)
 Wire seal: Silicone, 58-circuit (Blue), 78-circuit (Green)
 Lever: Glass-filled PA 66, Black

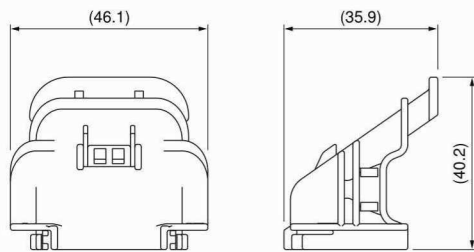
(#): The specifications of keycode.

(*): The specifications of lever type and direction.

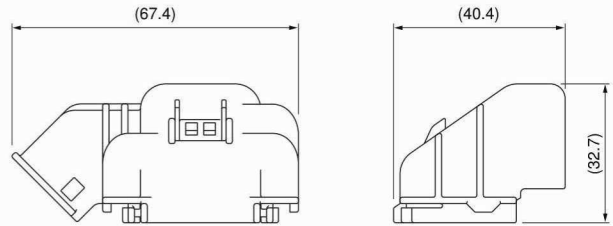


Wire cover

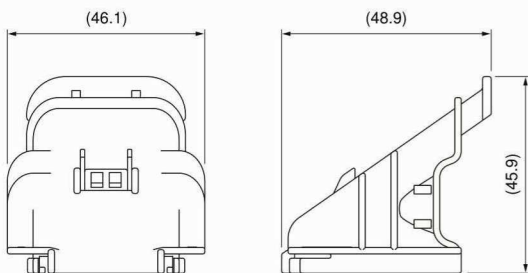
● JIAHC-58H-1A-K



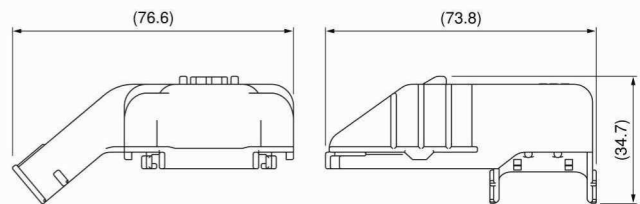
● JIAHC-58H-3A-K



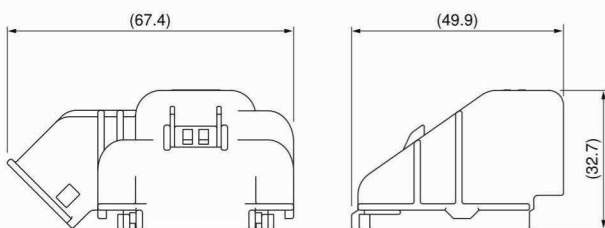
● JIAHC-74H-1A-K



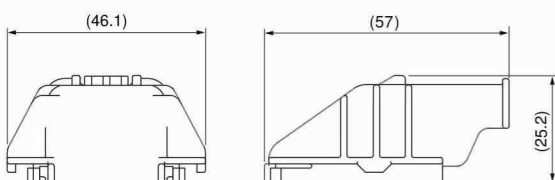
● JIAHC-74H-2A-K



● JIAHC-74H-3A-K



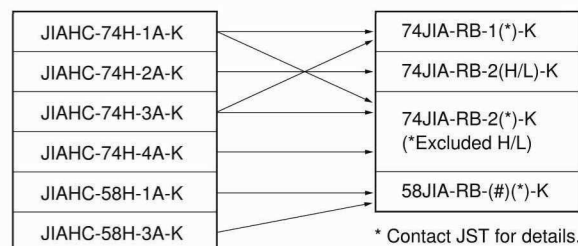
● JIAHC-74H-4A-K



Circuits	Model No.	Q'ty/box
58	JIAHC-58H-1A-K	400
	JIAHC-58H-3A-K	250
74	JIAHC-74H-1A-K	300
	JIAHC-74H-2A-K	150
	JIAHC-74H-3A-K	150
	JIAHC-74H-4A-K	300
Material and Finish		
Glass-filled PBT, Black		

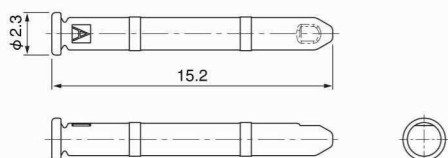
Wire Cover

Female Connector

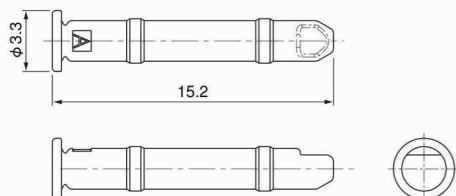


Female dummy plug

● 0.5 mm² Female dummy plug



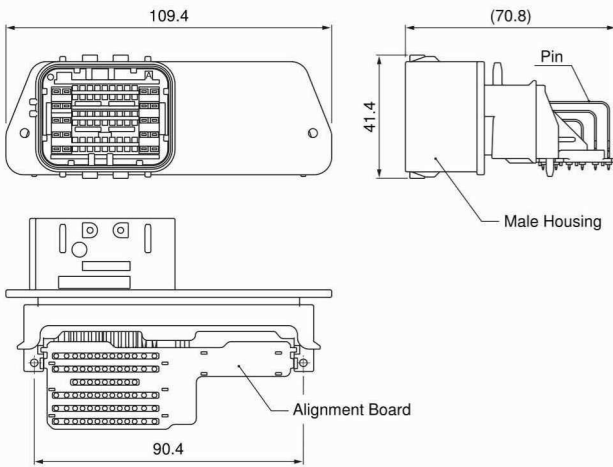
● 0.75 to 1.25 mm² Female dummy plug



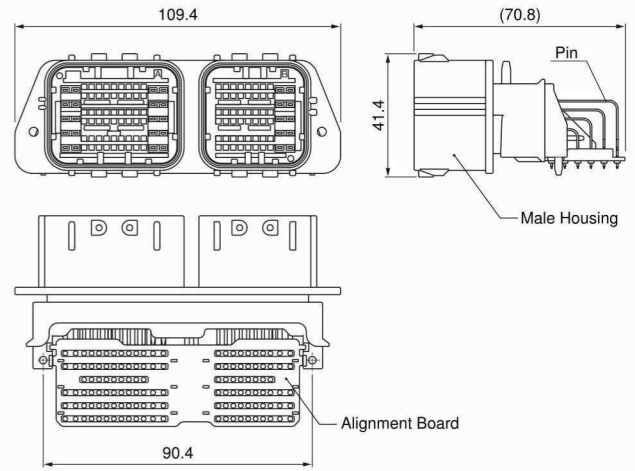
Applicable Wire	Model No.	Q'ty/reel	Color
0.5 mm ²	JIADP-H-1A-H	7,000	Gray
	JIADP-H-1A-M	7,000	Green
0.75 to 1.25 mm ²	JIADP-H-3A-K	7,000	Black
	JIADP-H-3A-Y	7,000	Yellow
Material and Finish			
PBT			

Male connector

● S74B-JIA-2C-HK1



● S132B-JIA-1C-HK1



Circuits	Model No.	Q'ty/box	Housing Color
74	S74B-JIA-2C-HK1	96	Black
132	S132B-JIA-1C-HK1	96	Black

Material and Finish

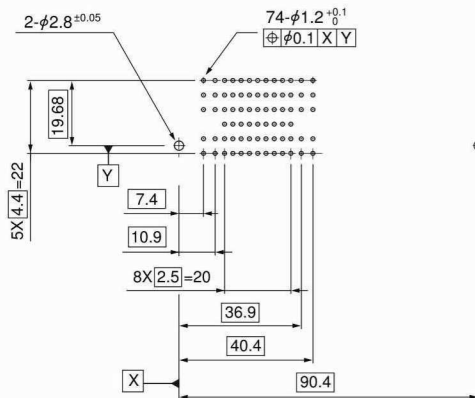
Male housing: Glass-filled PA 66, Black

Alignment board: Glass-filled PA 66, Black

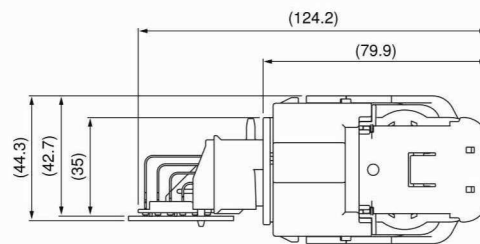
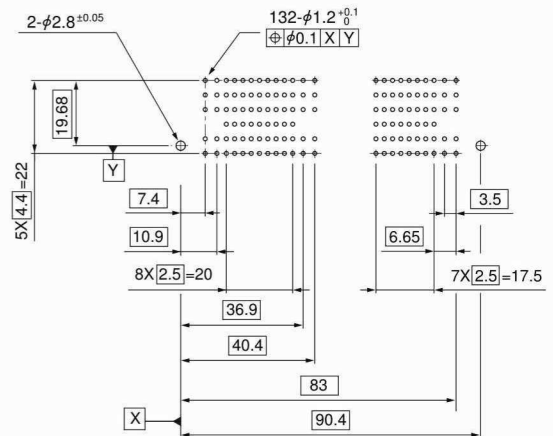
Pin: Copper alloy, nickel-undercoated, tin-plated

PC board layout, Assembly layout

● 74 Circuits



● 132 Circuits



Note: 1. The dimensions above should serve as guideline. Contact JST for details.
2. Dimensions may be changed depending on cover type.

Crimping machine, Applicator

Strip terminal	Crimping machine	Crimp applicator MKS-L	
		Dies	Crimp applicator with dies
SJIA-A021T-M063	AP-K2N	MK/SJIA-A021-063	APLMK SJIA-A021-063
SNACM-A041T-M1.5		MK/SNACM-A041-15	APLMK SNACM-A041-15

Note: When crimping operation is conducted using an applicator and die set other than the above, JST cannot guarantee the performance of the terminal.